



**ROTAREX**  
FIRETEC



COMPLETE SYSTEMS FOR COMMERCIAL KITCHENS

# A COMPLETE DETECTION & SUPPRESSION SYSTEM PRE-ENGINEERED FOR COMMERCIAL KITCHENS

---

- ★ Easy / Flexible installation
- ★ Quick & Effective suppression
- ★ Highly Dependable: no electricity or moving parts
- ★ Highly economical



## EVERYTHING YOU NEED TOGETHER IN ONE BOX

---



## REDUCES EVEN THE MOST CRITICAL KITCHEN FIRE RISKS:

---

- Flammable grease and open flame in cooking areas
- Human injury
- Damage to cooking equipment and peripheral kitchen area
- Work stoppage
- Loss of client goodwill

## THE FIREDETEC® DIFFERENCE

Rotarex FireDETEC® systems use a proprietary continuous linear sensor tube that reliably detects and actuates release of the extinguishing agent using pneumatic technology. It is more flexible, space efficient and cost effective versus alternative mechanical or electronic systems.



### 1. Quick & Easy installation directly above high-risk cooking areas:

The flexible sensor tubing is easily installed directly inside the extractor hood - directly above cooking areas.

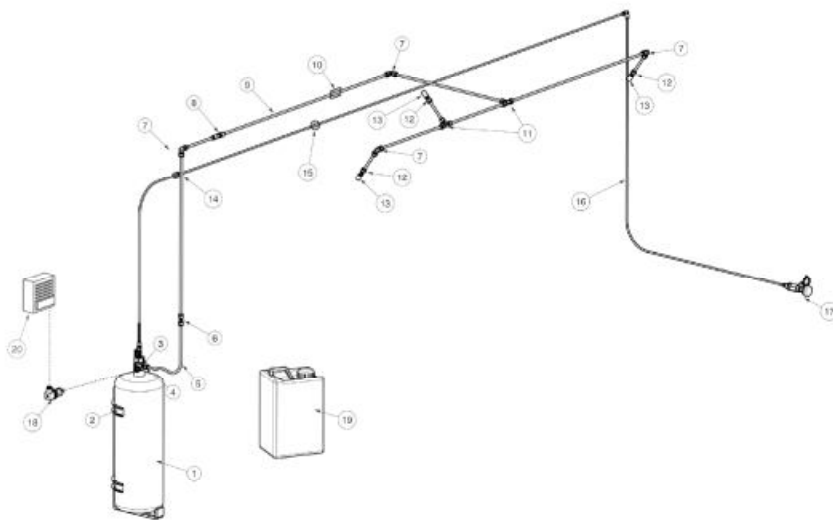
When in service, the tubing is pressurized with dry nitrogen to 16 bar. The dynamics of pressurization make the tubing more reactive to heat.

### 2. Early fire detection:

If a flame-up occurs, the heat of the fire causes the pressurized sensor tube to burst at the hottest spot (approx. 110°C)

### 3. Instant suppression:

The sudden tube depressurization actuates the special pressure differential valve and instantly floods the cooking area with Class F extinguishing agent. The fire is quickly suppressed just moments after it began... minimizing damage and downtime.



Pos.	Qty.	Description
1	1	ILP cylinder / valve assembly 9 Liter (not filled)
2	1	Cylinder bracket
3	1	Gasket
4	1	Tube fitting (nickel plated)
5	1	Steel hose
6	1	Tube fitting - straight union
7	4	Tube fitting - Elbow
8	1	Cross panel-fitting
9	6	Stainless steel tubing (1m)
10	4	Pipe bracket (Ø8mm)
11	2	Tube fitting - Tee
12	3	Tube fitting - straight G ¼"
13	3	Nozzle
14	1	Cross panel-fitting
15	20	Screw clips for tube attachment
16	1	FireDETEC Tube red (10m)
17	1	Manuel release device
18	1	Pressure switch
19	1	FireDETEC® suppression agent (9 liter canister)
<b>OPTIONAL</b>		
20	1	Alarm box

## SPECIFICATIONS

<b>Extinguishing agents</b>	Class F	<b>Tube pressure</b>	16 bar	<b>Working temperature</b>	-20°C to +60°C
<b>Propellant</b>	Nitrogen	<b>Sensor tube burst temperature</b>	110°C	<b>Cylinder volume</b>	12 liters
<b>Volume of Extinguishing agent</b>	9 liters	<b>Cylinder pressure</b>	16 bar	<b>Weight (filled)</b>	13 Kg

**WORLDWIDE HEADQUARTERS**

24, rue de Diekirch, BP 19  
L-7505 Lintgen  
Luxembourg  
Tel.: +352 32 78 32-1  
Fax: +352 32 78 32-854  
E-mail: [info@firetec.rotarex.com](mailto:info@firetec.rotarex.com)

## OTHER AVAILABLE PRE-ENGINEERED SYSTEMS:

### ELECTRICAL CABINETS



### CNC MACHINES



### FUME CABINETS



### VEHICLE ENGINES

